

CPSEV(H)

1/2 - 2HP
SEWAGE

Every pump tested in water to ensure pump meets head and flow requirements.

FEATURES/BENEFITS



PERFORMANCE

Heads up to 77' TDH
Flows up to 217 GPM

MOTOR (Single Phase)

High efficient, 115v or 230v, oil filled, permanent split capacitor motor with upper and lower ball bearings and thermal overload protection

- Constant bearing lubrication
- Maximum motor cooling
- Runs cooler and lasts longer
- Internal overload protection
- Quiet operation

- Fasteners and shaft made from rugged, corrosion resistant stainless steel

MOTOR (3 Phase)

230v or 460v, requires control panel

SEAL DESIGN

Single, mechanical, running in oil filled chamber allowing dry run and cooling

- Optional double seals models available that provides additional protection and optional moisture sensing capabilities
- Optional seal failure feature that will alert you when the seal has failed

IMPELLER DESIGN

Vortex cast iron impeller

- Designed to help reduce clogging by foreign material

POWER CORD

Sealed entry quick disconnect power cords

- Prevents water from entering the motor housing through a cut cord
- Easy to replace in the field without having to run a new power cord
- Available in lengths up to 100'

SWITCH

Piggy-back switch design (Single Phase)

- Defective switches can be diagnosed over the phone
- Pump can be operated manually or supplied with other piggy-back switches
- Switch can be replaced without having to replace the pump

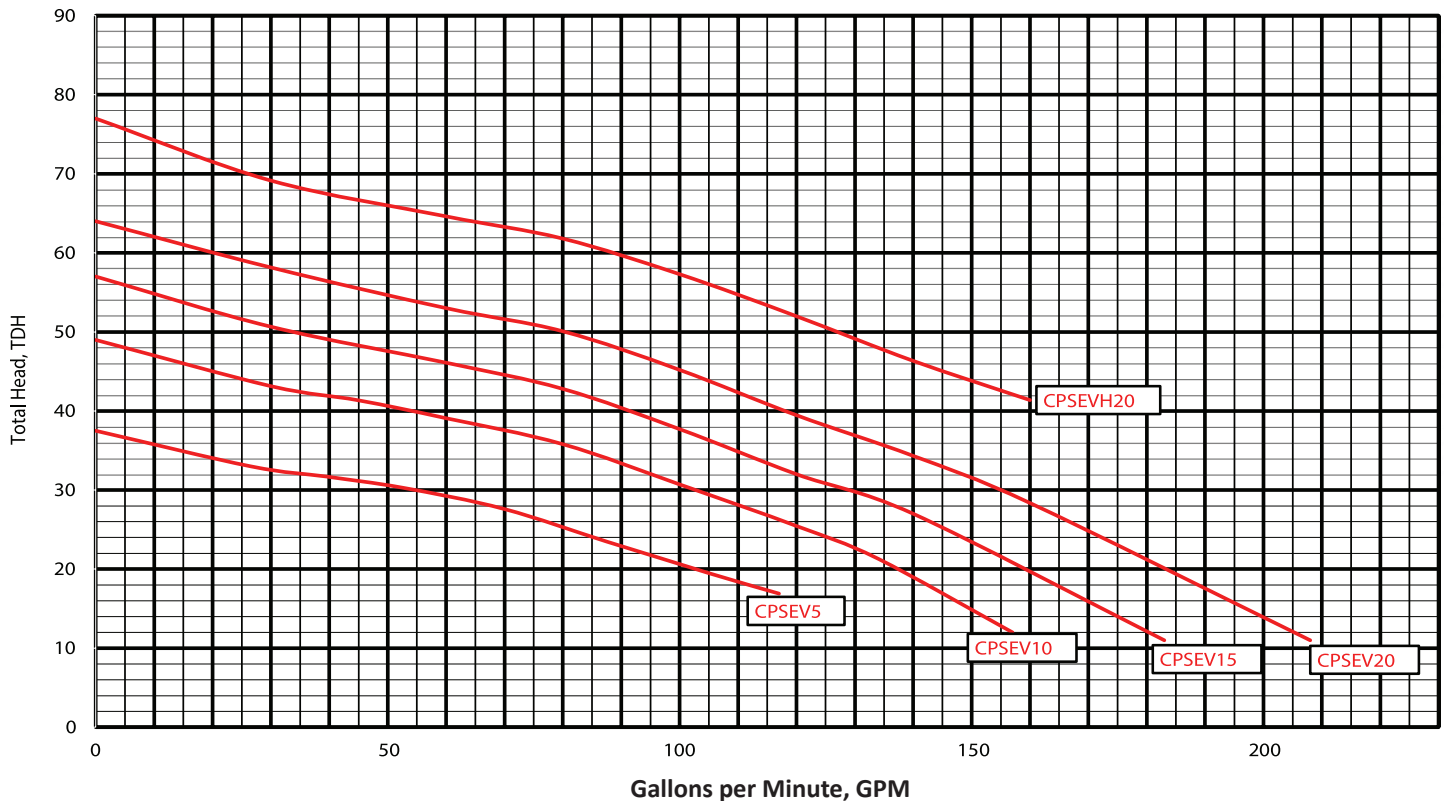
APPLICATIONS

Residential developments, commercial developments and wastewater applications



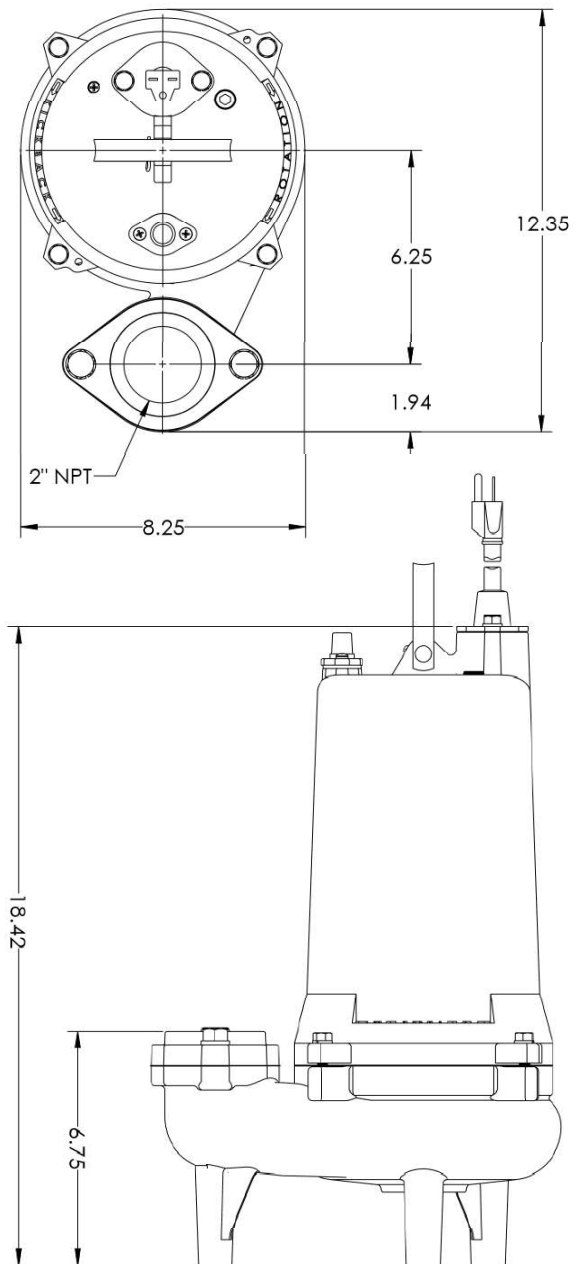
1/2 - 2 HP cast iron submersible pumps that handle up to 2" solids and have a 2" or 3" discharge

PERFORMANCE CURVE



TECHNICAL DATA

DISCHARGE	2" NPT Vertical Standard, 3" (Optional)
LIQUID TEMPERATURE	140 Degrees F. (Intermittent)
MOTOR HOUSING	Cast Iron
VOLUTE	Cast Iron
SEAL PLATE	Cast Iron
IMPELLER	Ductile Iron
SOLIDS HANDLING	2"
SHAFT	416 Stainless Steel
SEAL PLATE	Cast Iron
SHAFT SEAL (SINGLE SEAL)	Carbon - Ceramic/ Buna-N-Elastomer 300 Series Stainless Steel - Hardware
SHAFT SEAL (DOUBLE SEAL)	Tandem Double Mechanical Upper & Lower/ Carbon-Ceramic, Buna-N-Elasto- mer 300 Series Stainless Steel - Hardware
BEARINGS (UPPER & LOWER)	Single Row, Ball, Oil Lubricated
HARDWARE	300 Series Stainless Steel
O-RINGS	Buna-N
CORD	20' Length Standard, Up to 100' Available UL/CSA (SJOW) 14/3 (.375 OD) Quick Disconnect Pin Terminals
MOTOR (SINGLE PHASE)	3450 RPM. 60 Hz Includes Overload Protection in the Motor. Oil Filled, Class F, PSC Permanent Split Capacitor
MOTOR (Three Phase)	3450 RPM. 60 Hz, Oil Filled, Requires Overload Protection to be Included in Control Panel
OPTIONAL SEAL FAILURE	20' Length Standard UL/ CSA (SJTW) 16/3 (.330 OD)



MODEL(S) INFORMATION

MODEL	HP	VOLTS	PHASE	AMPS	CORD LENGTH	SWITCH	WT.
CPSEV512(A)	1/2	115	1	14.5	20'	MANUAL (AUTOMATIC)	80 LBS
CPSEV522(A)	1/2	208/230	1	8.1/7.3	20'	MANUAL (AUTOMATIC)	80 LBS
CPSEV532	1/2	208/230	3	5.9/5.3	20'	MANUAL	80 LBS
*CPSEV542	1/2	460	3	2.7	20'	MANUAL	80 LBS
CPSEV1022(A)	1	208/230	1	13.9/12.6	20'	MANUAL (AUTOMATIC)	80 LBS
CPSEV1032	1	208/230	3	8.5/7.7	20'	MANUAL	80 LBS
*CPSEV1042	1	460	3	3.8	20'	MANUAL	80 LBS
CPSEV1522(A)	1-1/2	208/230	1	14.7/13.3	20'	MANUAL (AUTOMATIC)	80 LBS
CPSEV1532	1-1/2	208/230	3	10.4/9.4	20'	MANUAL	80 LBS
*CPSEV1542	1-1/2	460	3	4.7	20'	MANUAL	80 LBS
CPSEV2022(A)	2	230	1	18	20'	MANUAL (AUTOMATIC)	80 LBS
CPSEV2032	2	230	3	11	20'	MANUAL	80 LBS
*CPSEV2042	2	460	3	5.5	20'	MANUAL	80 LBS
CPSEVH2022(A)	2	230	1	18	20'	MANUAL (AUTOMATIC)	80 LBS
CPSEVH2032	2	230	3	11	20'	MANUAL	80 LBS
*CPSEVH2042	2	460	3	5.5	20'	MANUAL MANUAL	80 LBS