

Every pump tested in water to ensure pump meets performance curve.



### FEATURES/BENEFITS

#### PERFORMANCE

- Heads up to 28' TDH
- Flows up to 85 GPM

#### MOTOR

- High efficient, 115v or 230v, oil filled, permanent split capacitor motor with upper and lower ball bearings and thermal overload protection
- Constant bearing lubrication
  - Maximum motor cooling
  - Runs cooler and lasts longer
  - Internal overload protection
  - Quiet operation
  - Fasteners and shaft made from rugged, corrosion resistant stainless steel

#### SEAL DESIGN

- Type 21 inboard seal design with secondary exclusion seal
- Rotating components of seal are in the motor housing, being lubricated by the motor oil preventing foreign matter from wrapping around the seal components
  - Seal will last longer if the pump runs dry
  - Secondary exclusion seal keeps debris from entering the seal cavity

#### IMPELLER DESIGN

- Non-clog style, cast-iron vortex impeller
- Designed to help reduce clogging by foreign material

#### POWER CORD

- Sealed entry quick disconnect power cords
- Prevents water from entering the motor housing through a cut cord
  - Easy to replace in the field
  - Available in lengths up to 100'

#### SWITCH

- Piggy-back switch design
- Defective switches can be diagnosed over the phone
  - Pump can be operated manually or supplied with other piggy-back switches
  - Switch can be replaced without having to replace the pump

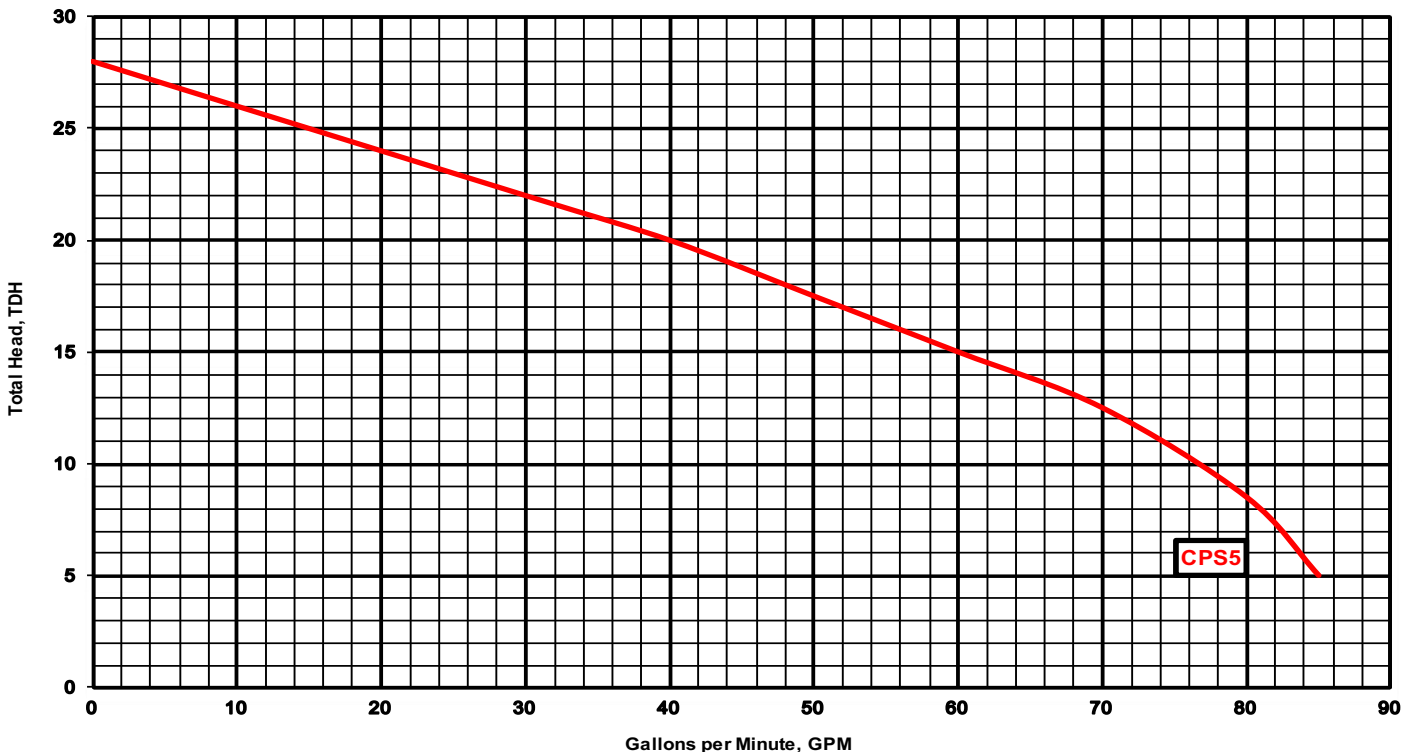
### APPLICATIONS

Basements, dewatering, septic systems and truck docks



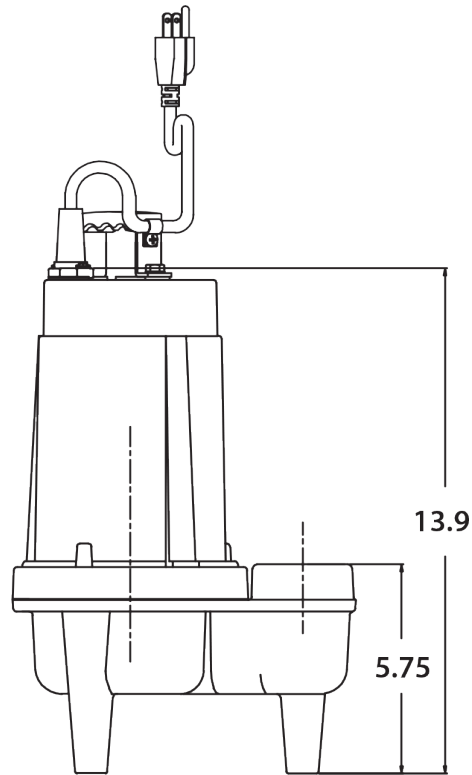
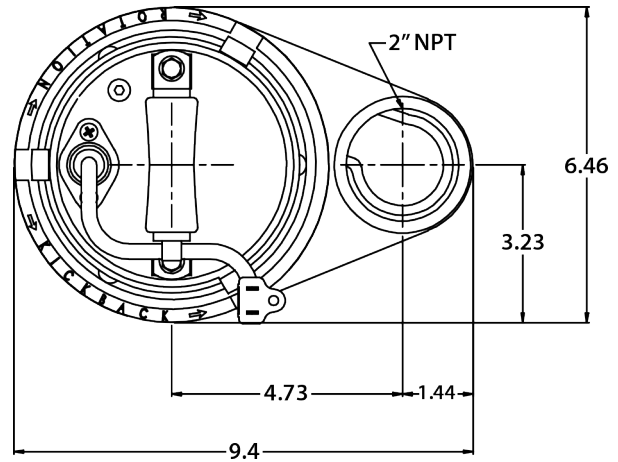
1/2 HP submersible pumps that handle up to 1 1/4" solids with 2" discharge

### PERFORMANCE CURVE



# TECHNICAL DATA

|                          |  |
|--------------------------|--|
| DISCHARGE                | 2" NPT. vertical standard  |
| SOLIDS HANDLING          | 1 1/4"   |
| LIQUID TEMPERATURE       | 140 Degrees F. (Intermittent)  |
| MOTOR HOUSING            | Cast Iron  |
| VOLUTE                   | Cast Iron  |
| SEAL PLATE               | Cast Iron  |
| IMPELLER                 | Cast Iron / Vortex   |
| SOLIDS HANDLING          | 1 1/4"   |
| SHAFT                    | Stainless Steel  |
| SHAFT SEAL (SINGLE SEAL) | Inboard mechanical with secondary exclusion V-Seal, carbon rotating face, ceramic stationary face, Buna-N elastomer, 300 series stainless steel hardware |
| BEARINGS (UPPER & LOWER) | Single row, ball, oil lubricated   |
| HARDWARE                 | 300 Series stainless steel   |
| O-RINGS                  | Buna-N   |
| CORD                     | 10' Length standard. Up to 100' available. (UL/CUL) Listed 16 AWG, Type SJTW   |
| MOTOR (SINGLE PHASE)     | 1/2 HP 3450 RPM, 60 Hz, NEMA L<br>Includes overload protection in the motor, oil filled, class B permanent split capacitor                               |
| WEIGHT                   | 39 lbs. (Manual)   |



## MODEL(S) INFORMATION

| MODEL    | HP  | VOLTS | PHASE | AMPS | CORD LENGTH | SWITCH           |
|----------|-----|-------|-------|------|-------------|------------------|
| CPS5-11  | 1/2 | 115   | 1     | 8    | 10'         | Manual           |
| CPS5-12  | 1/2 | 115   | 1     | 8    | 20'         | Manual           |
| CPS5-13  | 1/2 | 115   | 1     | 8    | 30'         | Manual           |
| CPS5-15  | 1/2 | 115   | 1     | 8    | 50'         | Manual           |
| CPS5A-11 | 1/2 | 115   | 1     | 8    | 10'         | Wide-Angle Float |
| CPS5A-12 | 1/2 | 115   | 1     | 8    | 20'         | Wide-Angle Float |
| CPS5A-13 | 1/2 | 115   | 1     | 8    | 30'         | Wide-Angle Float |
| CPS5V-11 | 1/2 | 115   | 1     | 8    | 10'         | Vertical Float   |
| CPS5V-12 | 1/2 | 115   | 1     | 8    | 20'         | Vertical Float   |
| CPS5V-13 | 1/2 | 115   | 1     | 8    | 30'         | Vertical Float   |
| CPS5-22  | 1/2 | 230   | 1     | 4    | 20'         | Manual           |
| CPS5A-22 | 1/2 | 230   | 1     | 4    | 20'         | Wide-Angle Float |
| CPS5V-22 | 1/2 | 230   | 1     | 4    | 20'         | Vertical Float   |