

Every pump tested in water to ensure pump meets performance curve.



### FEATURES/BENEFITS

#### PERFORMANCE

- Heads up to 28' TDH
- Flows up to 85 GPM

#### MOTOR

- High efficient, 115v or 230v, oil filled, permanent split capacitor motor with upper and lower ball bearings and thermal overload protection
- Constant bearing lubrication
  - Maximum motor cooling
  - Runs cooler and lasts longer
  - Internal overload protection
  - Quiet operation
  - Fasteners and shaft made from rugged, corrosion resistant stainless steel

#### SEAL DESIGN

- Type 21 inboard seal design with secondary exclusion seal
- Rotating components of seal are in the motor housing, being lubricated by the motor oil preventing foreign matter from wrapping around the seal components
  - Seal will last longer if the pump runs dry
  - Secondary exclusion seal keeps debris from entering the seal cavity

#### IMPELLER DESIGN

- Non-clog style, cast-iron vortex impeller
- Designed to help reduce clogging by foreign material

#### POWER CORD

- Sealed entry quick disconnect power cords
- Prevents water from entering the motor housing through a cut cord
  - Easy to replace in the field
  - Available in lengths up to 100'

#### SWITCH

- Piggy-back switch design
- Defective switches can be diagnosed over the phone
  - Pump can be operated manually or supplied with other piggy-back switches
  - Switch can be replaced without having to replace the pump

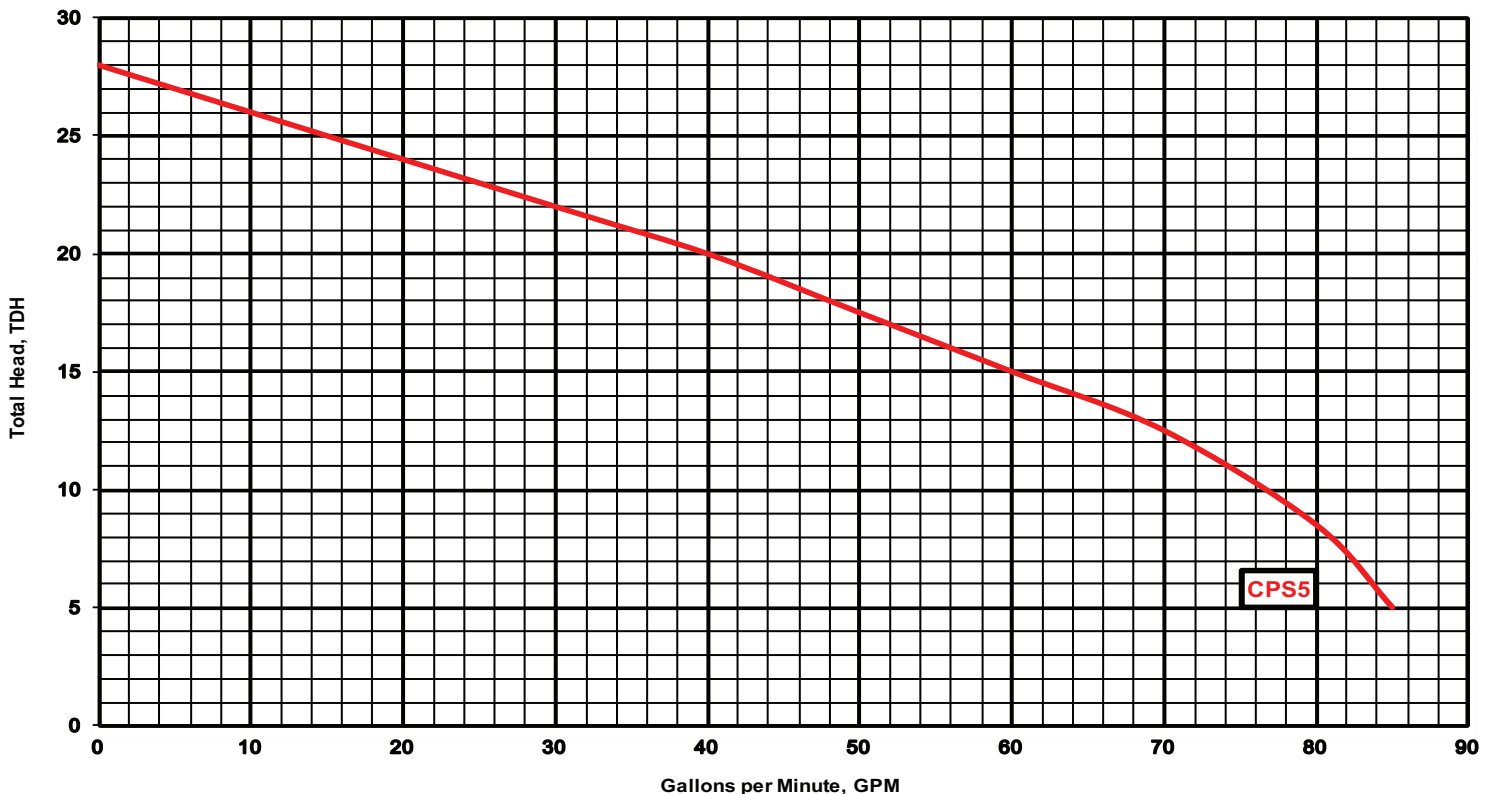
### APPLICATIONS

Basements, dewatering, septic systems and truck docks



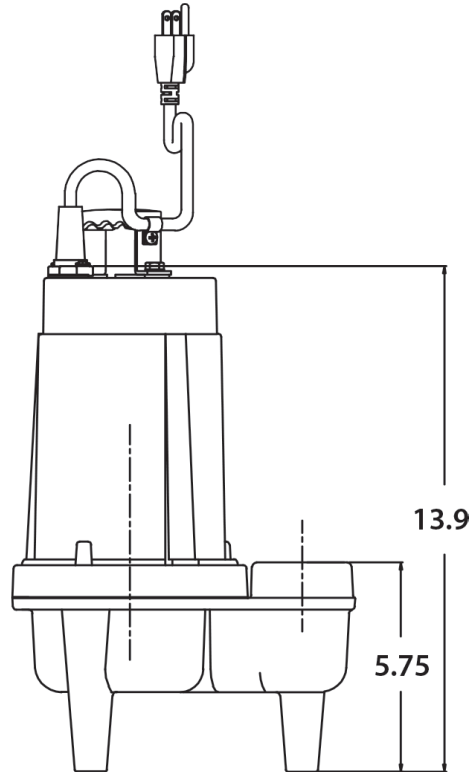
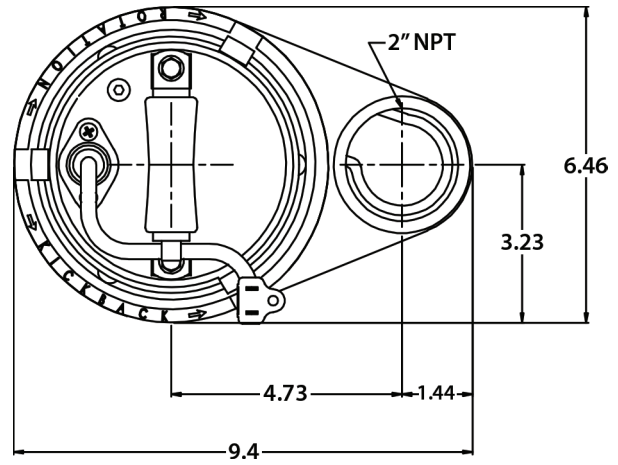
1/2 HP submersible pumps that handle up to 1 1/4" solids with 2" discharge

### PERFORMANCE CURVE



## TECHNICAL DATA

DISCHARGE	2" NPT. vertical standard
SOLIDS HANDLING	1 1/4"
LIQUID TEMPERATURE	140 Degrees F. (Intermittent)
MOTOR HOUSING	Cast Iron
VOLUTE	Cast Iron
SEAL PLATE	Cast Iron
IMPELLER	Cast Iron / Vortex
SOLIDS HANDLING	1 1/4"
SHAFT	Stainless Steel
SHAFT SEAL (SINGLE SEAL)	Inboard mechanical with secondary exclusion V-Seal, carbon rotating face, ceramic stationary face, Buna-N elastomer, 300 series stainless steel hardware
BEARINGS (UPPER & LOWER)	Single row, ball, oil lubricated
HARDWARE	300 Series stainless steel
O-RINGS	Buna-N
CORD	10' Length standard. Up to 100' available. (UL/CUL) Listed 16 AWG, Type SJTW
MOTOR (SINGLE PHASE)	1/2 HP 3450 RPM, 60 Hz, NEMA L Includes overload protection in the motor, oil filled, class B permanent split capacitor
WEIGHT	39 lbs. (Manual)



## MODEL(S) INFORMATION

MODEL	HP	VOLTS	PHASE	AMPS	CORD LENGTH	SWITCH
CPS5-11	1/2	115	1	8	10'	Manual
CPS5-12	1/2	115	1	8	20'	Manual
CPS5-13	1/2	115	1	8	30'	Manual
CPS5-15	1/2	115	1	8	50'	Manual
CPS5A-11	1/2	115	1	8	10'	Wide-Angle Float
CPS5A-12	1/2	115	1	8	20'	Wide-Angle Float
CPS5A-13	1/2	115	1	8	30'	Wide-Angle Float
CPS5A-15	1/2	115	1	8	50'	Wide-Angle Float
CPS5V-11	1/2	115	1	8	10'	Vertical Float
CPS5V-12	1/2	115	1	8	20'	Vertical Float
CPS5V-13	1/2	115	1	8	30'	Vertical Float
CPS5V-15	1/2	115	1	8	50'	Vertical Float
CPS5-22	1/2	230	1	4	20'	Manual
CPS5A-22	1/2	230	1	4	20'	Wide-Angle Float
CPS5V-22	1/2	230	1	4	20'	Vertical Float