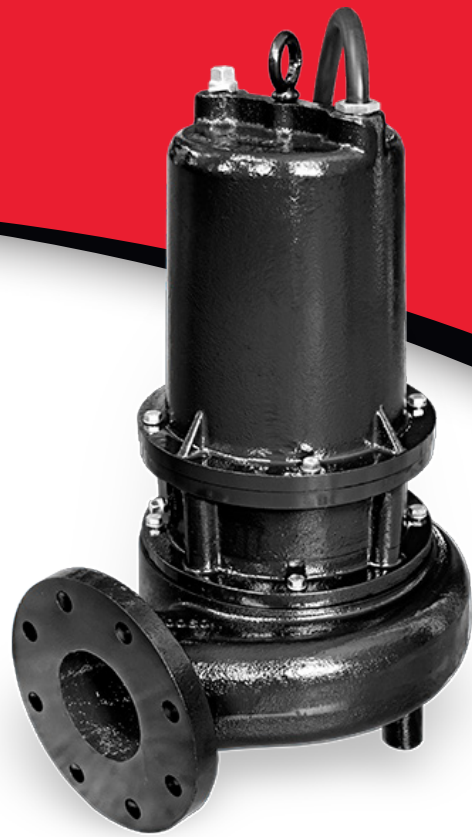


## SUBMERSIBLE SOLIDS HANDLING PUMP

Series: CP4SE  
2 - 7.5 HP / 1750 RPM  
Discharge: 4"  
Spherical solids handling: 3"



### DISCHARGE

4", 125lb, flange horizontal.

### LIQUID TEMPERATURE

104 °F (40 °C) continuous, 140 °F (60 °C) intermittent operation.

### VOLUTE

Cast iron ASTM A-48 class 30.

### MOTOR HOUSING

Cast iron ASTM A-48 class 30.

### SEAL PLATE

Cast iron ASTM A-48 class 30.

### IMPELLER

**Design:** 2 vane, semi-open, with vanes on back side.

**Material:** cast iron ASTM A-48 class 30.

### SHAFT

416 series stainless steel.

### SQUARE RINGS

Buna-N.

### PAINT

Air dry enamel, water based.

### SEAL

**Design:** dual, mechanical, oil filled chamber.

**Material:** silicon carbide with Viton type 01 outer seal, carbon ceramic with Buna-N type 01 inner seal, with stainless steel hardware.

### HARDWARE

300 series stainless steel.

### CORD ENTRY

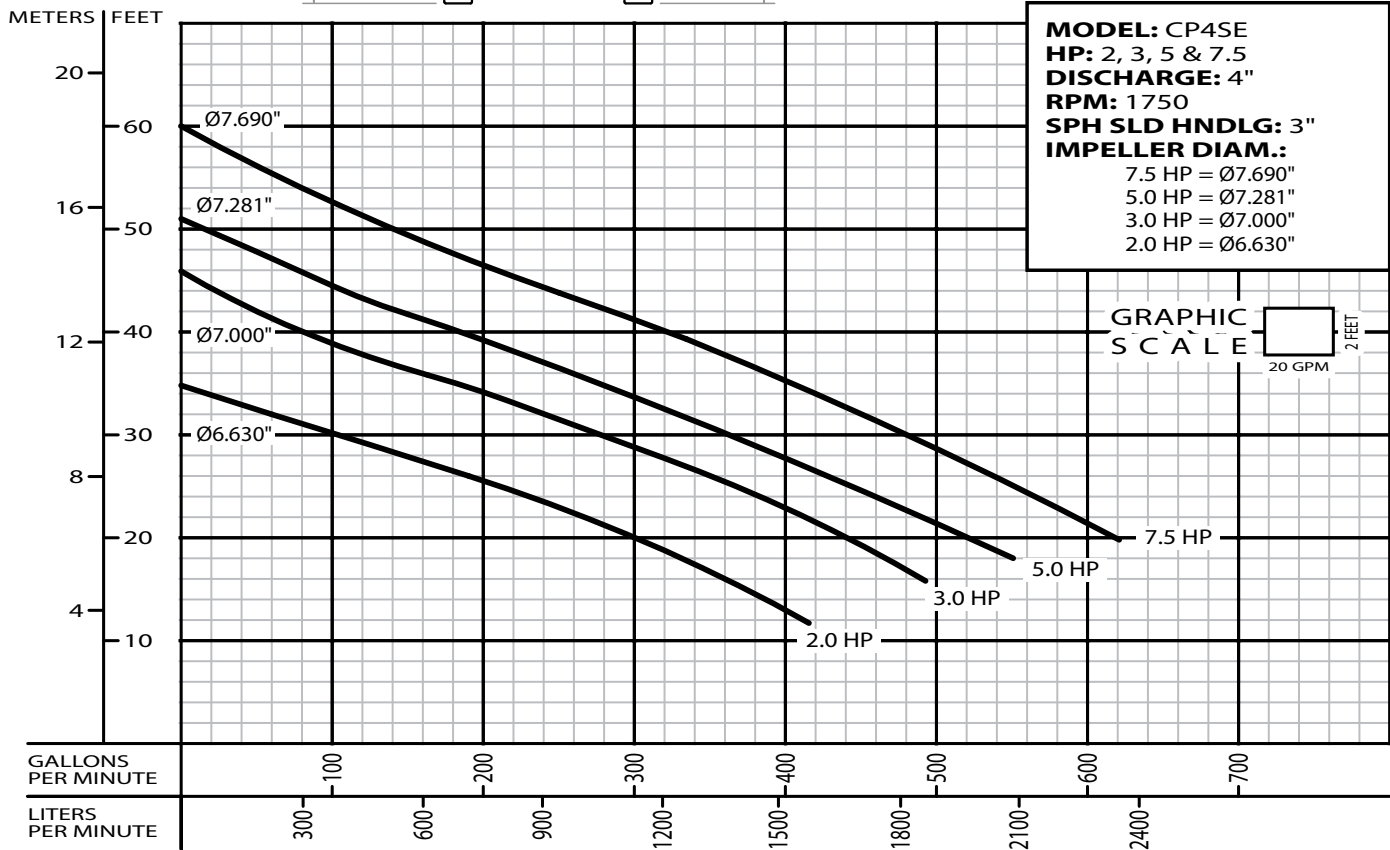
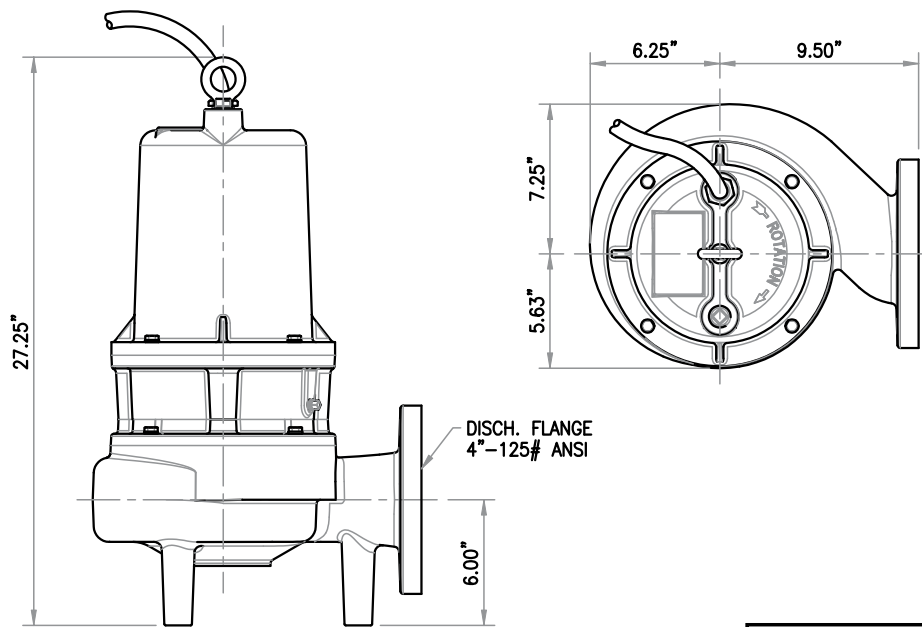
40 ft of cord, epoxy sealed housing with secondary pressure grommet for sealing and strain relief.

### MOTOR

NEMA B, three phase, 230 & 460 volts, 60 Hz, 1750 RPM, oil filled, with class F insulation. Requires overload protection to be included in control panel.

### OPTIONAL EQUIPMENT

Additional cord, tungsten carbide seal, slide rail coupling.



**MODEL: CP4SE**  
**HP: 2, 3, 5 & 7.5**  
**DISCHARGE: 4"**  
**RPM: 1750**  
**SPH SLD HNDLG: 3"**  
**IMPELLER DIAM.:**  
 7.5 HP = Ø7.690"  
 5.0 HP = Ø7.281"  
 3.0 HP = Ø7.000"  
 2.0 HP = Ø6.630"

GRAPHIC SCALE  
 20 GPM 2 FEET

MODEL	HP	VOLTS	PHASE	RPM	MAX AMPS	LOCKED ROTOR AMPS	NEMA CODE	CORD SIZE	CORD TYPE	CORD LENGTH	WEIGHT
CP4SE203DS	2	230	3	1750	14.3	40	F	14/4	STOW	40'	200
CP4SE204DS	2	460	3	1750	7.2	20	F	14/4	STOW	40'	200
CP4SE303DS	3	230	3	1750	15.9	49.5	H	14/4	STOW	40'	205
CP4SE304DS	3	460	3	1750	8	24.8	H	14/4	STOW	40'	205
CP4SE503DS	5	230	3	1750	22.1	63.6	E	14/4	STOW	40'	210
CP4SE504DS	5	460	3	1750	11	31.8	E	14/4	STOW	40'	210
CP4SE753DS	7.5	230	3	1750	24.6	105	G	10/4	STOW	40'	225
CP4SE754DS	7.5	460	3	1750	12.3	52.5	G	10/4	STOW	40'	225

**IMPORTANT!**

1. Never use this pump to handle explosive liquids. 2. This pump is not approved to be used in swimming pools, recreational installations or any application where human contact may be common. 3. Pump may be operated "dry" for extended periods without damage to motor &/or seals. 4. Testing is performed with water specific gravity of 1.0 @ 68 °F (20 °C); other fluids may vary performance.