

SUBMERSIBLE SOLIDS HANDLING PUMP

Series: CP4NC
4.5-15 HP / 1750 RPM
Discharge: 4"
Spherical solids handling: 3"



DISCHARGE

4", 125lb, flange horizontal.

LIQUID TEMPERATURE

104°F (40°C) continuous.

VOLUTE

Cast iron ASTM A-48 class 30.

MOTOR HOUSING

Cast iron ASTM A-48 class 30.

SEAL PLATE

Cast iron ASTM A-48 class 30.

IMPELLER

Design: 2 vane, open, with vanes on back side.

Material: cast iron ASTM A-48 class 30.

SHAFT

416 series stainless steel.

SQUARE RINGS

Buna-N.

PAINT

Air dry enamel, water based.

SEAL

Design: double, mechanical, oil filled chamber.

Material: silicon carbide outboard seal, carbon ceramic inboard seal, Buna-N elastomer and stainless steel hardware.

DIAPHRAGM

Buna-N.

HARDWARE

300 series stainless steel.

CORD ENTRY

40 ft of cord, epoxy sealed housing with secondary pressure grommet for sealing and strain relief.

BEARINGS

Upper: ball, single row, oil lubricated, for radial load.

Lower: ball, single row, oil lubricated, for radial and thrust load.

MOTOR

Single phase: NEMA L, 230 volts, 60 Hz, 1750 RPM, oil filled. Capacitor start / Capacitor run, required in starter/panel.

Three phase: NEMA B, 200/230 & 460 volts, 60 Hz, 1750 RPM, oil filled.

Requires overload protection to be included in control panel. Class F insulation.

MOISTURE SENSOR

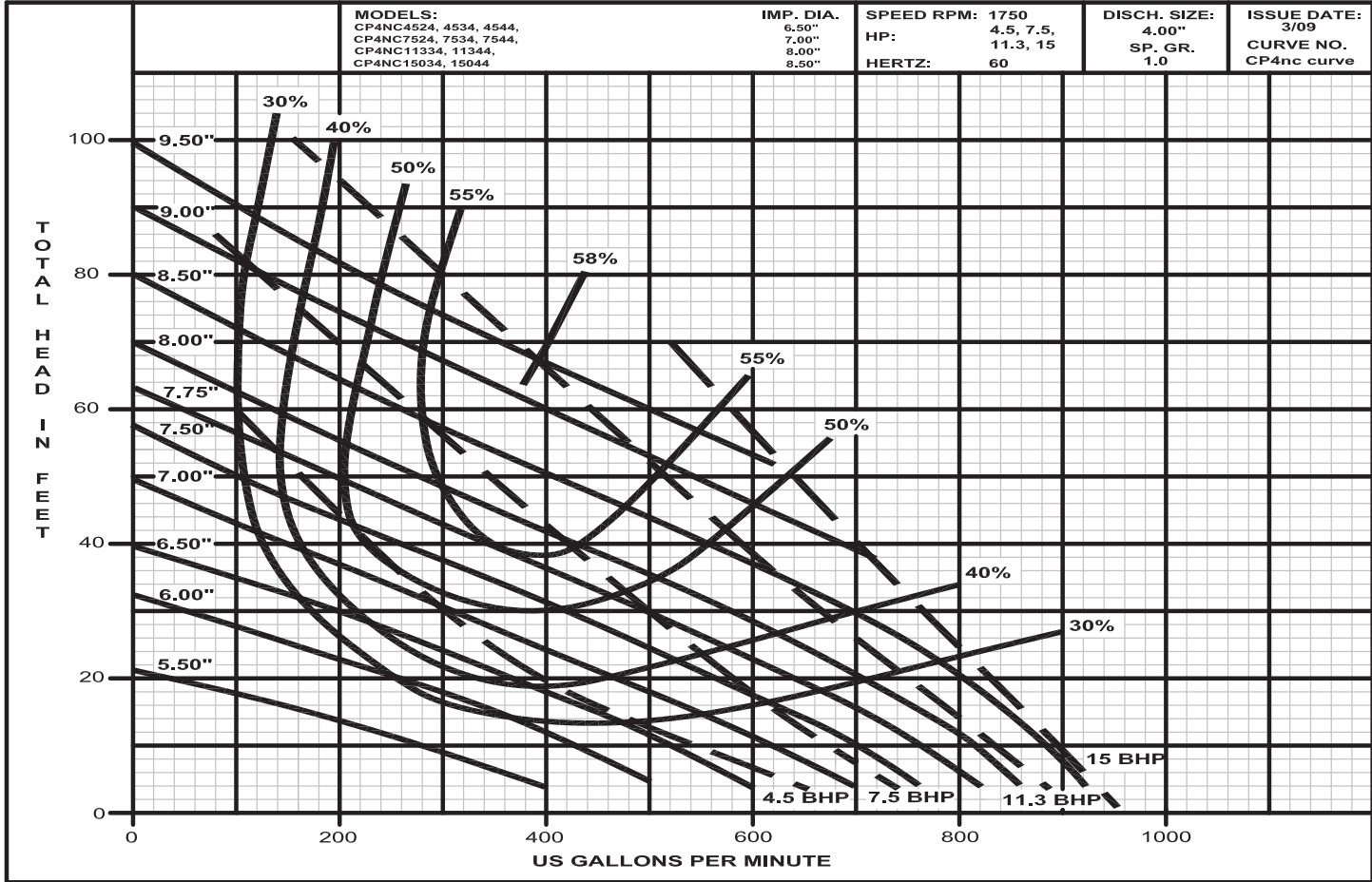
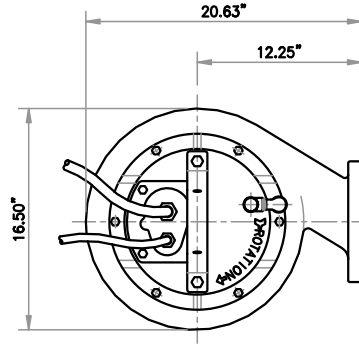
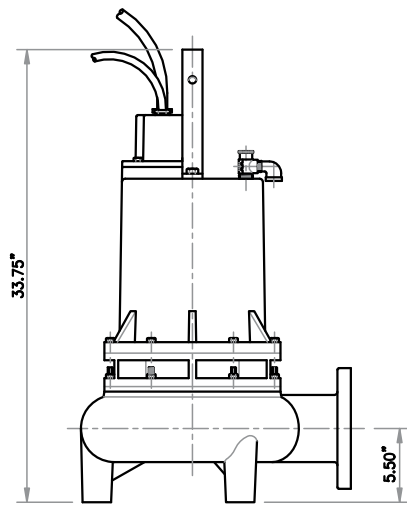
Normally open (N/O) included, requires relay in control panel.

TEMPERATURE SENSOR

Normally closed (N/C) included, requires relay in control panel.

OPTIONAL EQUIPMENT

Additional cord, tungsten carbide seal, slide rail coupling



MODEL	HP	VOLTS	PHASE	RPM	MAX AMPS	LOCKED ROTOR AMPS	NEMA CODE	CORD SIZE	CORD TYPE	CORD LENGTH	WEIGHT
CP4NC4524	4.5	230	1	1750	26	59	A	10/4	SO	40'	287
CP4NC4534	4.5	200/230	3	1750	18.2	56	E	10/4	SO	40'	280
CP4NC4544	4.5	460	3	1750	9.1	28	E	10/4	SO	40'	280
CP4NC7524	7.5	230	1	1750	39	96	A	10/4	SO	40'	315
CP4NC7534	7.5	200/230	3	1750	26.8	80	D	10/4	SO	40'	309
CP4NC7544	7.5	460	3	1750	13.4	40	D	10/4	SO	40'	309
CP4NC11334	11.3	200/230	3	1750	28	126	D	10/4	SO	40'	340
CP4NC11344	11.3	460	3	1750	14	63	D	10/4	SO	40'	340
CP4NC15034	15	230	3	1750	38	160	D	10/4	SO	40'	399
CP4NC15044	15	460	3	1750	19	80	D	10/4	SO	40'	399

IMPORTANT!

1. Never use this pump to handle explosive liquids. 2. This pump is not approved to be used in swimming pools, recreational installations or any application where human contact may be common. 3. Pump may be operated "dry" for extended periods without damage to motor &/or seals. 4. Testing is performed with water specific gravity of 1.0 @ 68 °F (20 °C); other fluids may vary performance.