

## SUBMERSIBLE SOLIDS HANDLING PUMP

Series: CP4NC-SS  
2.8, 3.7 & 5 HP / 1750 RPM  
Discharge: 4"  
Spherical solids handling: 3"



### DISCHARGE

4", 125 lb, flange horizontal.

### LIQUID TEMPERATURE

104 °F (40 °C) continuous.

### VOLUTE

Cast iron ASTM A-48 class 30.

### MOTOR HOUSING

Cast iron ASTM A-48 class 30.

### SEAL PLATE

Cast iron ASTM A-48 class 30.

### IMPELLER

**Design:** 2 vane, open, with vanes on back side.

**Material:** cast iron ASTM A-48 class 30.

### SHAFT

416 series stainless steel.

### HARDWARE

300 stainless steel.

### SQUARE RINGS

Buna-N.

### PAINT

Air dry enamel, water based.

### SEAL

**Design:** inboard, single mechanical, oil filled chamber.

**Material:** silicon carbide, Buna-N elastomer and stainless steel hardware.

### CORD ENTRY

40 ft of neoprene cord SO 10/4, sealed against moisture.

### BEARINGS

**Upper:** ball, single row, oil lubricated, for radial load.

**Lower:** ball, single row, oil lubricated, for radial and thrust load.

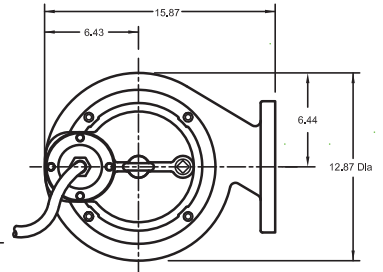
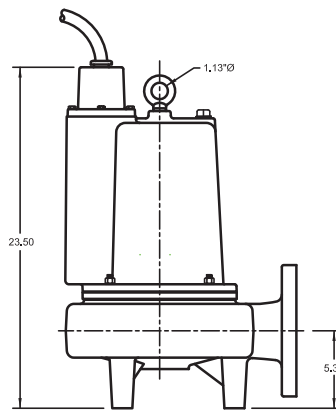
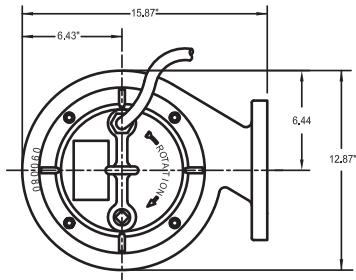
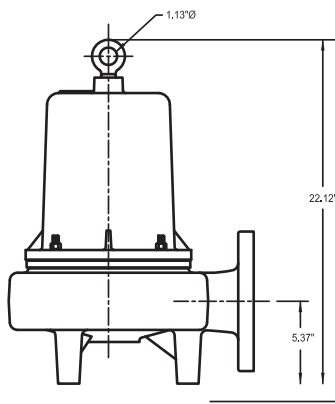
### MOTOR

**Single phase:** NEMA L, permanent split capacitor, 200/230 volts, 60 Hz, 1750 RPM, oil filled, overload protection in motor.

**Three phase:** NEMA B, 208/230 & 460 volts, 60 Hz, 1750 RPM, oil filled. Requires overload protection to be included in control panel.

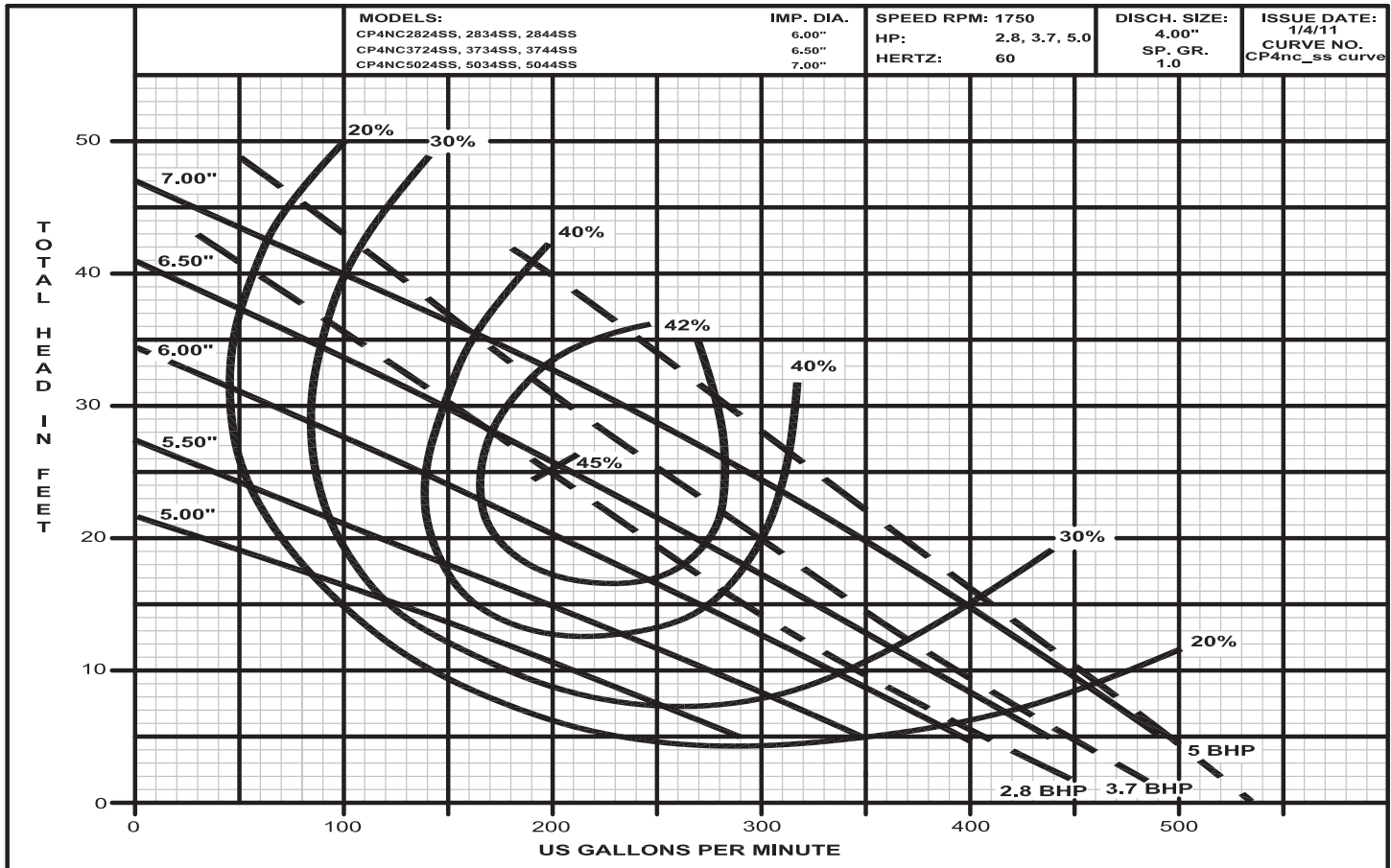
### OPTIONAL EQUIPMENT

Additional cord, slide rail coupling



CP4NC2834SS, CP4NC2844SS

CP4NC2824SS, CP4NC3724SS, CP4NC3734SS, CP4NC3744SS,  
CP4NC5024SS, CP4NC5034SS, CP4NC5044SS



MODEL	HP	VOLTS	PHASE	RPM	MAX AMPS	LOCKED ROTOR AMPS	NEMA CODE	CORD SIZE	CORD TYPE	CORD LENGTH	WEIGHT
CP4NC2824SS	2.8	200/230	1	1750	12.6	23	A	10/3	SOW	40'	201
CP4NC2834SS	2.8	208/230	3	1750	8	35	A	10/4	SOW	40'	201
CP4NC2844SS	2.8	460	3	1750	4	17.5	F	10/4	SOW	40'	201
CP4NC3724SS	3.7	200/230	1	1750	18.5	29	F	10/3	SOW	40'	201
CP4NC3734SS	3.7	208/230	3	1750	14	50.8	D	10/4	SOW	40'	201
CP4NC3744SS	3.7	460	3	1750	7	25.4	A	10/4	SOW	40'	201
CP4NC5024SS	5	200/230	1	1750	28	59	D	10/3	SOW	40'	201
CP4NC5034SS	5	208/230	3	1750	19	56	D	10/4	SOW	40'	201
CP4NC5044SS	5	460	3	1750	9	28	B	10/4	SOW	40'	201

**IMPORTANT!**

1. Never use this pump to handle explosive liquids. 2. This pump is not approved to be used in swimming pools, recreational installations or any application where human contact may be common. 3. Pump may be operated "dry" for extended periods without damage to motor &/or seals. 4. Testing is performed with water specific gravity of 1.0 @ 68 °F (20 °C); other fluids may vary performance.